

# Assembly Directions for Swivel Rocker Dining Chair

#ESDC2127, #ZSDC2127



Cozi-Back Chair



## **PACKAGE CONTENTS**

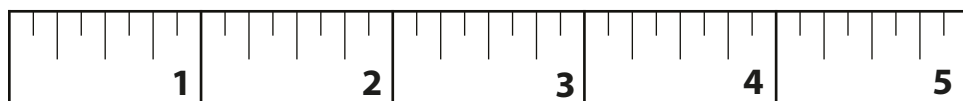
- 1 Seat
- 1 Back
- 2 Arm Assemblies
- 1 Base
- 1 Swivel Mechanism
- 3 Fiberglass Springs
- 2 Aluminum Plates
- 1 Hardware Package

## **HARDWARE PACKAGE**

- 2 1/4" x 2 1/2" Allen Head Bolts
- 2 1/4" x 3 1/4" Allen Head Bolts
- 4 1/4" x 3 1/2" Allen Head Bolts
- 8 1/4" Flange Nuts
- 12 5/16" x 1 1/4" Allen Head Bolts
- 6 5/16" Flange Nuts
- 6 5/16" Square Nuts
- 6 5/16" Lock Washers
- 1 Allen Wrench

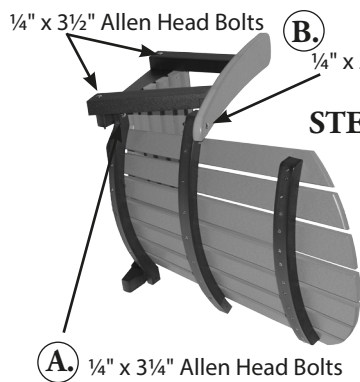
## **TOOLS NEEDED:**

- Hammer
- 7/16" Wrench
- 1/2" Wrench
- Allen Wrench (Included)



Use to measure bolts

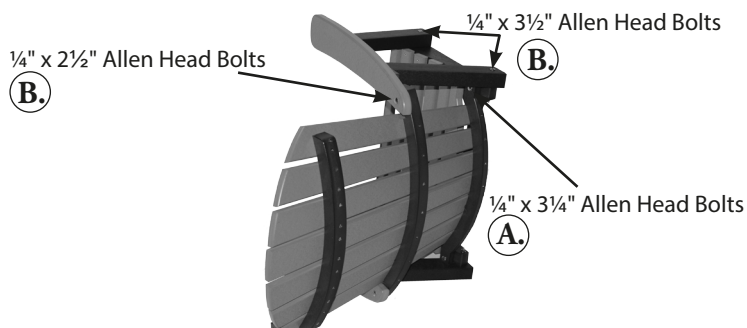




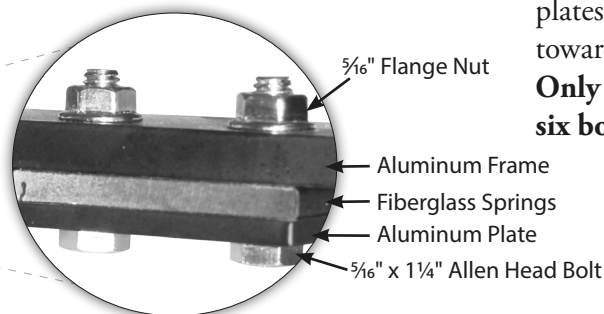
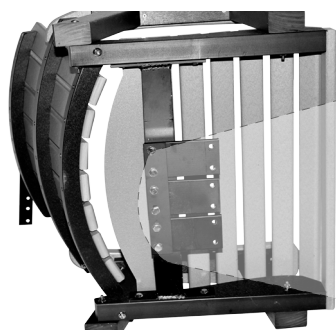
**STEP #1 -**

**A.** Attach the seat to the back using 1-  $\frac{1}{4}$ " x  $\frac{3}{4}$ " Allen Head Bolt and Flange Nuts.

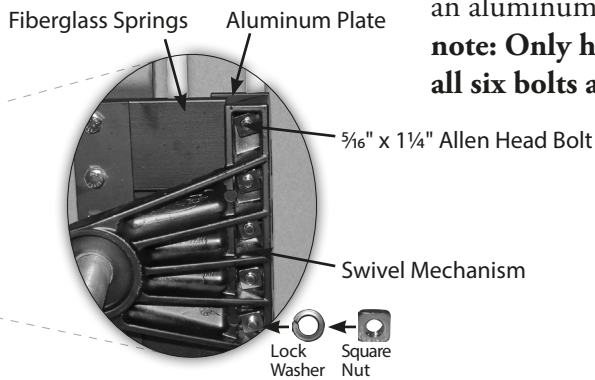
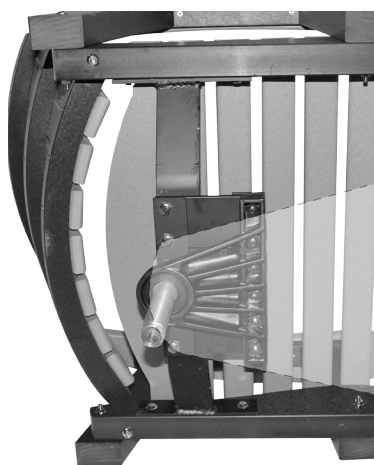
**B.** Attach the arm assembly to the Seat and Back using 2-  $\frac{1}{4}$ " x  $\frac{3}{2}$ " and 1-  $\frac{1}{4}$ " x  $\frac{2}{2}$ " Allen Head Bolts and Flange Nuts.



**STEP #2 -** Turn chair on other side and repeat step one.



**STEP #3 -** Fasten the 3- fiberglass springs and aluminum plates to the frame with the springs pointing towards the front of the chair. **Please note: Only hand tighten the Flange Nuts until all six bolts are installed, then fully tighten.**



**STEP #4 -** Fasten the swivel mechanism to the springs with an aluminum plate on top of the springs. **Please note: Only hand tighten the Flange Nuts until all six bolts are installed, then fully tighten.**



**STEP #5 -** Lift the chair assembly onto the base and place the stem of the swivel mechanism into the receiver of the base. Push firmly on the chair until it sits securely in the receiver. Your Swivel Rocker Dining Chair is complete!